



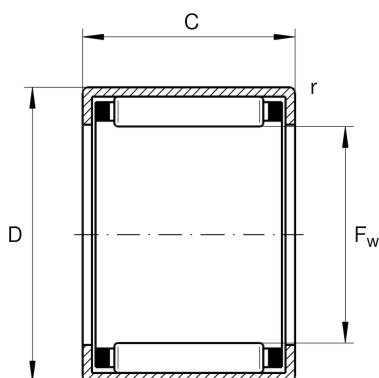
HK2520-AS1-B

Drawn cup needle roller bearing open end

Schaeffler ID:
0067549450000

Drawn cup needle roller bearing open end
HK...AS1-B, single row, with cage

Technical information



Main Dimensions & Performance Data

F_w	25 mm	Under roller diameter
D	32 mm	Outside diameter
C	20 mm	Width
C_r	19.900 N	Basic dynamic load rating, radial
C_{0r}	33.000 N	Basic static load rating, radial
C_{ur}	4.300 N	Fatigue load limit, radial
n_G	10.200 1/min	Limiting speed
$n_{G \text{ Grease}}$	6.100 1/min	Limiting speed for grease lubrication
n_{gr}	7.400 1/min	Reference speed
	32,942 g	Weight

Dimensions

C_1	20 mm	Width, outer ring
r_{\min}	0,8 mm	Minimum chamfer dimension

Temperature range

T_{\min}	-30 °C	Operating temperature min.
T_{\max}	140 °C	Operating temperature max.

Additional information

SD25X32X4	Sealing ring
G25X32X4	Sealing ring 2
LR20X25X20,5	Suitable inner rings LR
IR20X25X20-XL	Suitable inner rings IR